

OPS-A1



GENERAL SPECIFICATIONS

Device Type	Open Pluggable Specification (OPS)
Operating System	Android 14
CPU	ARM Cortex A55 x 4 (1.6 GHz)
GPU	ARM Mali-G52 MP1
RAM	8 GB LPDDR4
Internal Storage	64 GB eMMC PCIe M.2
Touchscreen Compatibility	Yes
TPM	2.0
Architecture	64 bit
Display Resolution	1920 x 1080 @ 60 Hz

CONNECTIVITY

USB-A 3.0	x2
USB-A 2.0 (OTG)	x1
Expandable Storage (MicroSD)	x1
Microphone (3.5 mm)	x1
Network (RJ45)	10/100/1000 Mbps
Wi-Fi	IEEE 802.11 a/b/g/n/ac/ax (dual band 2.4 GHz and 5 GHz)
Bluetooth	5.2

POWER

Power Requirements	12-19 V DC
Power Consumption Maximum	90 W
Power Consumption Standby	<= 0.5 W

ENVIRONMENTAL

Operating Temperature	0°C to 40°C (32°F to 104°F)
Storage Temperature	-20°C to 60°C (-4°F to 140°F)
Operating Humidity	10% to 95%
Storage Humidity	10% to 90%

PHYSICAL SPECIFICATIONS

Product Dimensions	200 x 120 x 30 mm (7.9 x 4.7 x 1.2 in)
Packed Dimensions	265 x 212 x 50 mm (10.4 x 8.4 x 2 in)
Net Weight	0.7 kg (1.5 lbs)
Packed Weight	0.84 kg (1.85 lb)

USABILITY

Promethean Essential Apps	Including Explain Everything Whiteboard, Screen Share, Screen Capture, Annotate, Spinner, and Timer
Google Apps	Including Play Store, Chrome, Drive, Meet, and YouTube

PACKED CONTENTS

What's in the Box	OPS-A x1, Antenna x2, Installation Guide x1
-------------------	---

COMPLIANCE & CERTIFICATION

Regulatory Certification	CB, CE, FCC, RCM, UL, RoHS
EDLA Certification	Yes

WARRANTY

Standard Warranty	3-Year Warranty. For more information, visit PrometheanWorld.com/Warranty .
-------------------	--

INSTALLATION

The installation of this product should be completed by a qualified installer. Use of components not supplied by Promethean or not meeting minimum specifications may impact performance, safety and warranty. For more information, visit Support.PrometheanWorld.com.

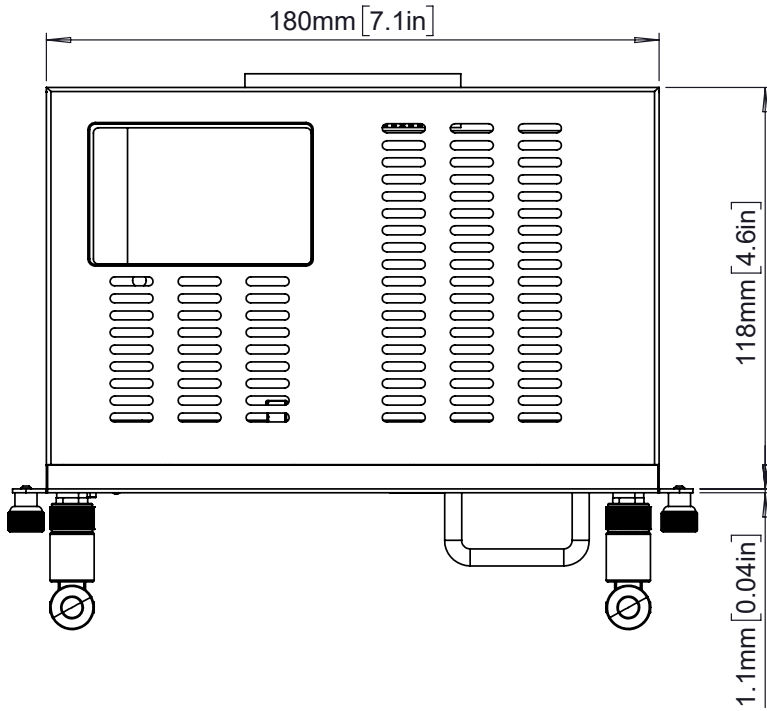
SUPPORT

For all Promethean products, visit Support.PrometheanWorld.com.

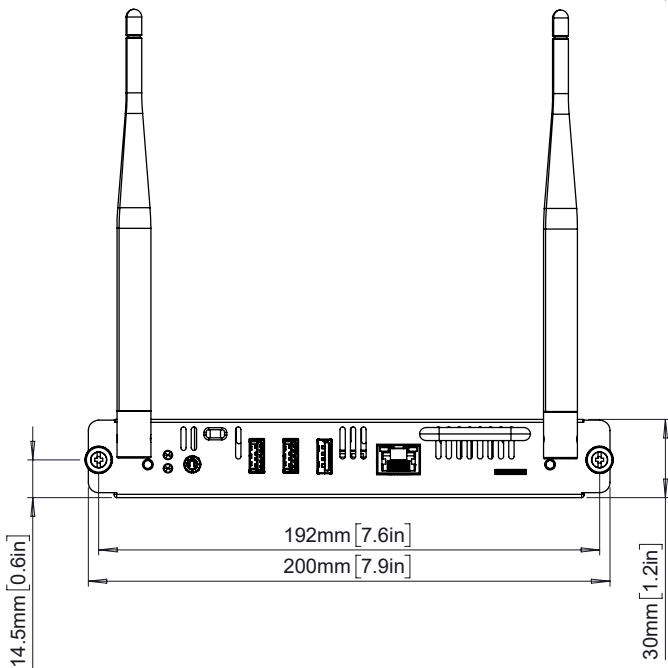
OPS-A1

TECHNICAL DRAWINGS

Top



Front



Side

